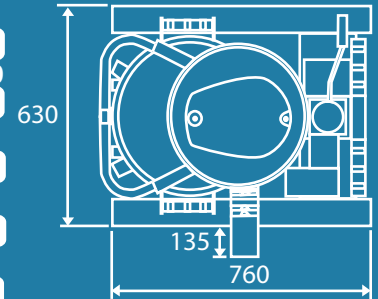


EVOBLOCK

TECHNICAL CHARACTERISTICS

	EVOBLOCK SINGLE PHASE	EVOBLOCK THREE PHASE	EVOBLOCK THREE PHASE
PRODUCT CODE	ST3280.0-SC	ST3290.1-SC	ST3290.2-SC
CONTROL TYPE	MECHANICAL	MECHANICAL	ELECTRONIC
NUMBER OF USERS	1	2	2
ELECTRICAL SUPPLY	(V/Hz) 220/50-60	80+NEUTRAL/50-60	380+NEUTRAL/50-60
POWER	(kW) 2.2	3	3/3.45
MOTOR SPEED	(RPM) 2900	2900	3500
GRADUAL START-UP	YES	YES	YES
MAXIMUM WATERLIFT	(mm/H ₂ O) 2000	3100	3100
AIRFLOW	(m ³ /h) 320	320	360
INVERTER	NO	NO	YES
NOISE LEVEL	(dB) <70	<70	<70
WEIGHT	(kg) 117	117	120
FILTER SURFACE AREA	(cm ²) 13000	13000	13000

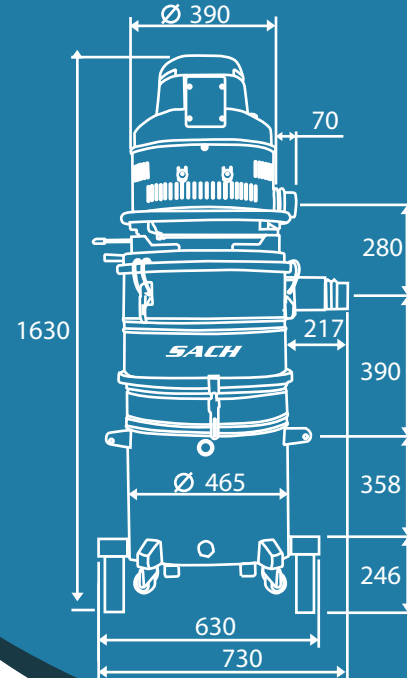
VIEW FROM ABOVE



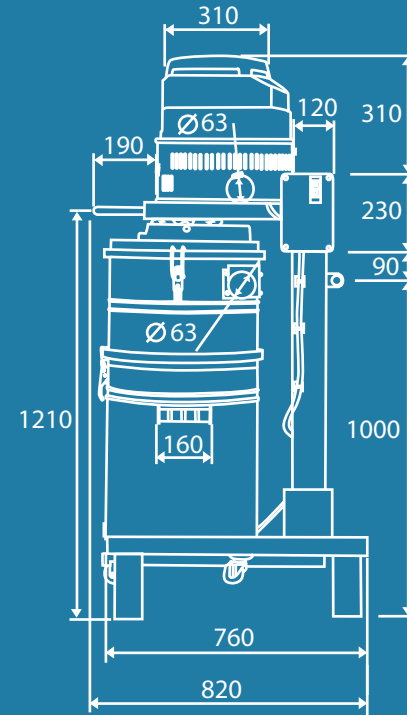
AIR INLET

AIR OUTLET

FRONT VIEW



SIDE VIEW



SIDE VIEW

